

ACCU SHARP®

Keep your edge®

Knife and Tool SHARPENERS

Since 1984

Catalog



The last knife sharpener you will ever need...

MADE IN THE USA 

ACCU SHARP®

KNIVES • SERRATED KNIVES
 FILLET KNIVES • CLEAVERS
 HATCHETS • MACHETES
 BROADHEADS • SHOVELS
 AXES • HOES • AND MORE!



Keep your edge®

The Value of AccuSharp® Products

Fortune Products Inc. focuses on one primary goal with the AccuSharp® line of products - making the most effective knife and blade sharpeners in the world. Our every effort is aimed toward creating products that provide the sharpest edge possible for your knives, tools, and equipment. Whether your sharpening needs range from the kitchen, workshop, yard, hunting, fishing or other outdoor sports, our sharpening products help you maintain the very best edge.

AccuSharp® Knife and Tool Sharpener

Sharpen knives (even serrated knives), cleavers, axes, machetes, and many other cutting tools in about 10 seconds. The large, ergonomic handle fits either hand & the full-length finger guard safely protects your fingers. The sharpening blades are diamond-honed tungsten carbide and provide years of reliable use.



(001C)

ShearSharp® Scissor Sharpener

ShearSharp® sharpens general purpose scissors, hedge clippers, and tin snips. If you own a pair of scissors, you will want to have the easy-to-use, affordable ShearSharp® Scissor Sharpener. The sharpening blade is diamond-honed tungsten carbide and provides years of reliable use.



MADE IN THE USA



(002C)

GardenSharp® Tool Sharpener

The GardenSharp® Tool Sharpener is designed to sharpen all those single-edged and hard to sharpen items in your tool shed like lawnmower blades, pruning shears (secateurs), limb loppers, hoes, shovels, and scythes. Florists, landscapers, and gardeners of all kinds need the GardenSharp® Tool Sharpener.



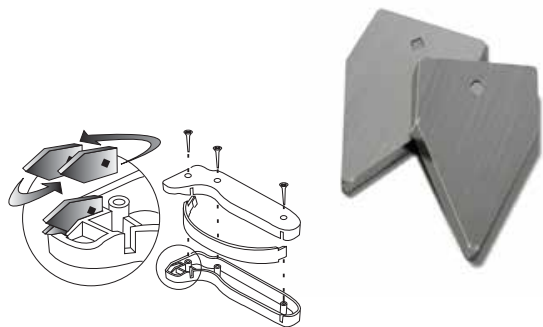
MADE IN THE USA



(006C)

AccuSharp® Replacement Blades

The diamond-honed tungsten carbide blades are reversible providing excellent sharpening for 5 to 10 years.



(003)

SturdyMount® Knife & Tool Sharpener

Ideal for mounting on cutting boards, kitchen counters, fillet boards, workbenches, butcher blocks, cleaning tables, and more. Perfect for indoor and outdoor use. The diamond-honed tungsten carbide blades are reversible with excellent sharpening for 5 to 10 years.



(004C)

AccuSharp® Sharpening Steel

Two sets of stationary ceramic rods, dark for coarse and white for fine, maintain & hone your blade for a longer-lasting edge. Available in 9 inch (032) and 14 inch (033)



(032C) (033C)

AccuSharp®/ShearSharp® Combo

Sharpen just about anything in the house. This combo pack consists of the AccuSharp® Knife & Tool Sharpener & ShearSharp® Scissor Sharpener.



(012C)

AccuSharp® Pull-Through Knife Sharpener

This commercial grade knife sharpener combines our diamond-honed tungsten carbide sharpening blades with fine ceramic rods. The heavy-duty ergonomically designed handle with the rubber over-molded grip provides a stable and comfortable platform for sharpening all your knives.



MADE IN THE USA
Assembled in the USA with domestic and globally sourced parts.



(036C)

SharpNEasy® 2-Step Tool Sharpener

Two sets of stationary ceramic rods, dark for coarse and white for fine, maintain & hone your blade for a longer-lasting edge.



(334CD)



(334C)

AccuSharp® Honing Oil

AccuSharp® Honing Oil is ideal for all traditional natural stone sharpening. Honing oil protects the stones from clogging and provides smooth sharpening.

MADE IN THE USA



(026C)



AccuSharp® Arkansas Whetstone Combination Knife Sharpening Kit



The AccuSharp® Whetstone Combination Knife Sharpening Kit includes two 3" sharpening stones for traditional coarse and fine sharpening, plus a 1 oz. bottle of honing oil in an organized kit.



(023C)



AccuSharp® 3-Stone Precision Knife Sharpening Kit

The AccuSharp® 3-Stone Kit is equipped with six angle guides and three sharpening options to keep your knife's edge razor sharp with fine, medium, and coarse alumina-oxide stones.

Angle guide has settings for 11°, 15°, 18°, 21°, 25°, and 30° angles.
Grits - Coarse: 120 | Medium: 180 | Fine: 280



(060C)



AccuSharp® Natural Arkansas Pocket Stone



The AccuSharp® Natural Arkansas Pocket Stone offers traditional sharpening for all kinds of straight-bladed knives & hooks.



(024C)



AccuSharp® Tri-Stone Sharpening System

This rotating, 6 inch, three-stone system is equipped with coarse, medium, and fine alumina-oxide stones and includes a 21° angle guide.

Grits - Coarse: 120 | Medium: 180 | Fine: 240



(064C)



AccuSharp® 5-Stone Precision Knife Sharpening Kit

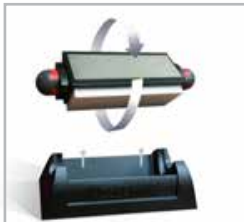
The 5-Stone kit includes fine, medium, and coarse alumina-oxide stones, extra coarse diamond-coated stone (with a groove for hook sharpening), and fine ceramic stone for serrated blades. Angle guide has settings at 11°, 15°, 18°, 21°, 25°, and 30° to sharpen a wide variety of knives. Grits - Diamond Coarse: 320 | Coarse: 120 | Medium: 180 | Fine: 280 | Ceramic Fine: 1500



(059C)

AccuSharp® Tri-Stone Deluxe Sharpening System

This rotating, 6 inch, three-stone system is equipped with coarse diamond, medium alumina-oxide, and fine ceramic stones and includes a 21° angle guide. The base features slip resistant feet, but can also be attached to a work surface if preferred. Grits - Diamond Coarse: 320 | Synthetic Medium: 280 | Ceramic Fine: 1500



(025C)

AccuSharp® Diamond Paddle Sharpener

This double-sided sharpener features an aggressive coarse diamond grit surface, a fine diamond surface for honing and finishing, and also includes a groove for sharpening hooks and darts. The folding handle allows you to fold and store your sharpener with ease. Grits - Coarse: 320 | Medium: 600



(051C)

AccuSharp® Diamond Pocket Stone

The dual-sided pocket sharpening stone features both a coarse 320-grit and a fine 800-grit diamond surface and also include a groove for sharpening hooks and darts.



(027C)

AccuSharp® Diamond Compact Sharpener

The AccuSharp® diamond-coated compact sharpener is a tapered, cone-shaped rod engineered to use on serrations and tight spaces. This sharpener also features a groove for sharpening hooks and darts. Grit Level - 320



(050C)

AccuSharp® 4-in-1 Knife Sharpener

This sharpener features diamond-honed tungsten carbide sharpening blades, fine ceramic rods, a retractable tapered diamond rod, and a flat diamond file, all in one pocket sized unit.

Grits - Diamond Rod: 400 | Diamond File: 400 | Ceramic Fine: 1500



MADE IN THE USA

Assembled in the USA with domestic and globally sourced parts.



(029C)

AccuSharp® Diamond Rod Sharpener

The AccuSharp® Diamond Rod Sharpener is a diamond-coated steel rod used to sharpen all kinds of knives, including serrated edges. The retractable rod is engineered with a cone-shaped end for serrations and tight spaces and features a groove for sharpening hooks and darts. Grit Level - Diamond Rod: 280



(030C)

AccuSharp® Asian-Style Knife Sharpener

The AccuSharp® Asian-Style Knife Sharpener is great for sharpening and maintaining your 15-degree blades. This commercial grade knife sharpener features both diamond-coated rods and fine ceramic rods. The diamond coated rods are designed to carefully sharpen your 15-degree edge while the fine ceramic rods are perfect for honing and finishing your blade.



Sharpens
15°
Blades



(052C)

AccuSharp® Pull-Through Knife Sharpener

This commercial grade knife sharpener combines our diamond-honed tungsten carbide sharpening blades with fine ceramic rods. The heavy-duty ergonomically designed handle with the rubber over-molded grip provides a stable and comfortable platform for sharpening all your knives.



Assembled in the USA with domestic and globally sourced parts.



(037C)

AccuSharp® PRO Knife and Tool Sharpener

Sharpen knives (even serrated knives), cleavers, axes, machetes, and many other cutting tools in about 10 seconds. The large ergonomic handle fits either hand & the full-length finger guard safely protects your fingers. The sharpening blades are diamond-honed tungsten carbide and provide years of reliable use.



MADE IN THE USA

Assembled in the USA with domestic and globally sourced parts.



(040C)

AccuSharp® Diamond•PRO 2-Step Knife Sharpener

Features pre-angled coarse diamond and fine ceramic rods to sharpen, restore, and then polish a blade's edge. The Diamond•PRO 2-Step exterior is made of brushed aluminum and finished with a rubber molded grip and rubber feet for safety.



(016)TRAY



(017C)

AccuSharp® Diamond Sharpening Steel

The durable diamond surface quickly returns the edge of a good blade in around 10 strokes. Available in 9 inch (034C) and 14 inch (035C).



(034C) (035C)

ACCU SHARP OUTDOORS

Keep your edge®

Be ready for your next outdoor adventure.

HATCHETS • AXES • MACHETES • SPEARS
• SPEAR HEADS • SERRATED KNIVES •
POCKET KNIVES • BROADHEADS & MORE!

SharpNEasy® 2-Step Orange Knife Sharpener

Two sets of stationary ceramic rods, dark for coarse and white for fine, maintain & hone your blade for a longer-lasting edge.



(335CD)



(336C)

AccuSharp® Pull-Through Knife Sharpener

This commercial grade knife sharpener combines our diamond-honed tungsten carbide sharpening blades with fine ceramic rods. The heavy-duty ergonomically designed handle with the rubber over-molded grip provides a stable and comfortable platform for sharpening all your knives.



MADE IN THE USA

Assembled in the USA with domestic and globally sourced parts.



(039C)

AccuSharp® Blaze Orange Knife & Tool Sharpener

Sharpen knives (even serrated knives), cleavers, axes, machetes, and many other cutting tools in about 10 seconds. The large ergonomic handle fits either hand & the full-length finger guard safely protects your fingers. The sharpening blades are diamond-honed tungsten carbide and provide years of reliable use.



MADE IN THE USA



(014C)

AccuSharp® 4-in-1 Knife Sharpener

This sharpener features diamond-honed tungsten carbide sharpening blades, fine ceramic rods, a retractable tapered diamond rod, and a flat diamond file, all in one pocket sized unit.

Grits - Diamond Rod: 400 | Diamond File: 400 | Ceramic Fine: 1500



MADE IN THE USA

Assembled in the USA with domestic and globally sourced parts.



(028C)

AccuSharp® Fillet Knife Sharpener

Fishermen, Craftsmen and anyone who uses a knife, all need the easy-to-use and affordable AccuSharp® Fillet Knife Sharpener. In about 10 seconds you can make your fillet knife razor sharp.



(010C)

AugerSharp® Tool Sharpener

The Ice Fisherman's dream. Now you can spend more time fishing and less time drilling holes in the ice. Ideal for all those single-beveled blades.



(007C)

AccuSharp® Broadhead Sharpener and Wrench

This innovative design allows you to keep all* your broadheads razor sharp and will quickly become your "go-to" tool. The wrench works with 2, 3, 4, and 5 blade broadheads.



(013C)

*Note: Some broadheads may need to be disassembled.

AccuSharp® Camouflage Knife & Tool Sharpener

The outdoor enthusiast can have the world's best knife and tool sharpener in this attractive camo design with all the great features of the original AccuSharp®.

MADE IN THE USA



11/11/11



(005C)

AccuSharp® OD Green Knife Sharpener

A color that calls to mind the great outdoors. Olive Drab, the same sharpener as our original AccuSharp®, is ideal for your hunting bag, workshop, toolbox, glove box and more.

MADE IN THE USA



(008C)

Custom Imprinted Sharpeners



Keep your company's name and logo in front of your customers with a custom imprinted AccuSharp® Knife and Tool Sharpener. We encourage customers to mix and match finger guards, ink, and sharpeners to best fit their brand. With over 100+ different custom combinations to choose from, it's easy to create the perfect sharpener.

AccuSharp® Knife & Tool Sharpener

Logo size: 2.31" x .65". Minimum order quantity may apply.

In-stock sharpener handle colors:



In-stock finger guard colors:

*Only white handle colors may substitute finger guard colors.



In-stock ink colors:



SharpNEasy® 2-Step Knife & Tool Sharpener

Logo size: .778" x .4". Minimum order quantity may apply.



Recommended ink colors:



AccuSharp® Point of Purchase (POP) Display

This simple but effective AccuSharp® acrylic point-of-purchase display unit does a great job of direct selling! Point out the terrific features of these sharpeners without ever saying a word and help drive your sales.



AccuSharp® Rack Display

The AccuSharp® Rack Display is a sturdy metal and plastic unit requiring only a few seconds to assemble. As a 2-Tier unit it holds 36 or more AccuSharp® products. It also works great as a 1-Tier unit, holding 18 or more AccuSharp® products.

Approximate Dimensions:

- 14" wide x 7" deep
- 2-Tier unit: 21" tall (30" tall with display card)
- 1-Tier unit: 12" tall (21" tall with display card)



AccuSharp® Floor Stand Display

Each floor stand holds 36 AccuSharp® products and takes minutes to set up. Display as a stand-alone display, hang with 'S' clips (provided) or place on a counter or shelf.

Dimensions: 14" wide x 14" deep x 58" tall.
Interior: 13" x 21"



(001FS) (005/014FS) (DPFS) (700FS) (006FS)

AccuSharp® Multi-Piece Floor Stand Display

Mix and match colors with a display that fits your store and customers' needs.

Dimensions: 14" wide x 14" deep x 58" tall.
Interior: 33 1/2" x 13 1/2"



(MLTFS-CLS) (MLTFS-OUT) (MLTFS-PRO)

AccuSharp® Promotional Items

The AccuSharp® combo packs are great promotional items for your special store events. We created perfect gift combinations for just about everybody in the family. Our popular AccuSharp® Knife and Tool Sharpeners and SharpNEasy® 2-Step Knife Sharpeners with our Folding Sport Knives and Lockback Knives are a classic choice for any promotional season.



(041C)



(042C)



(043C)



(044C)



(045C)



(046C)

AccuSharp® Lockback Knife Combo **NEW!**

This lightweight and robust folding (pocket) knife fits comfortably and safely in the palm of your hand. The distinctive hand grip of the G10-handle prevents from slipping forward while the blade is reliably locked by the solid Lockback.



(716)



(717)



(721)



(723)

AccuSharp® Folding Sport Knife

The sport knife is constructed of anodized aluminum and stainless steel with a wheel lock and a belt clip. Our knives also feature an emergency glass breaker.



(701C)



(703C)



(704C)



(709C)



AccuSharp® Lockback Knife **NEW!**



(711)



(712)



PARA *FORCE*™

Knives and Tools



ParaForce Lockback Knife Set

18 Piece Display Unit

801LBKS

- Pocket Clip
- Lightweight
- Safety Lock

Actual Size:

7" Open 4" Closed

3" Blade



ParaForce Multi Tool Set 18 Piece Display Unit 800MTS

1. Needle Nose Pliers
2. Regular Pliers
3. Pliers Scissors
4. Sharp Knife
5. Bottle Opener
6. Phillips Screwdriver
7. Serrated Knife
8. Can Opener
9. Nail Cleaner
10. Nail File (double side)
11. Small Screwdriver
12. Medium Screwdriver
13. Large Screwdriver

Actual Size: 4.25" Open; 2.75" Closed



ACCUSHARP®



AccuSharp® has been featured or reviewed by these publications:

The Florida Times-Union
jacksonville.com

CHOW



THE
WALL STREET
JOURNAL

HOUSTON
CHRONICLE

Patio  Garden

Pittsburgh Post-Gazette®



San Antonio Express-News
ExpressNews.com | mySA.com

COOK'S
ILLUSTRATED

The New York Times

Article on Cool Tools by David Carr

January 5, 2014

“
Cool Tools, both the website and the book (by Kevin Kelly), is not about getting more things, or expensive gadgets, but about finding the right stuff. For me, it was the \$9 AccuSharp Knife Sharpener, remarkably useful because it makes something I already have – an indifferent set of kitchen knives – much more valuable.

”
David Carr -- The New York Times



Fortune Products, Inc
2010A Windy Terrace
Cedar Park, Texas 78613

Phone: 1-800-742-7797
www.accusharp.com



Keep your edge®